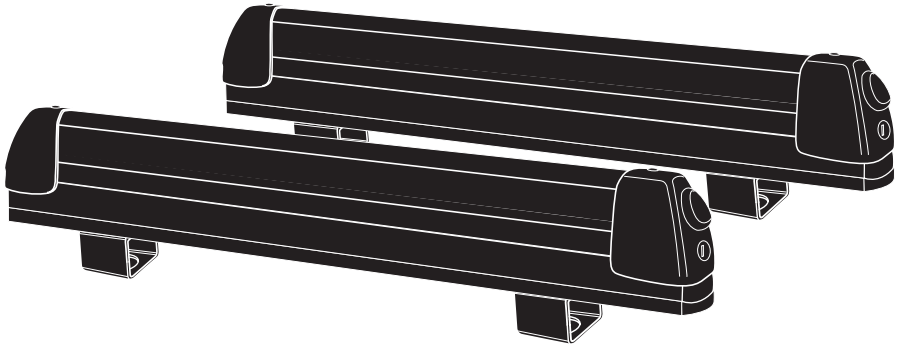


**Thule Xtender 739  
Skicarrier**

**> Instructions**



**CITY CRASH**

Complies with ISO norm

**ISO 11154-E**



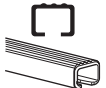
WingBar



AeroBar

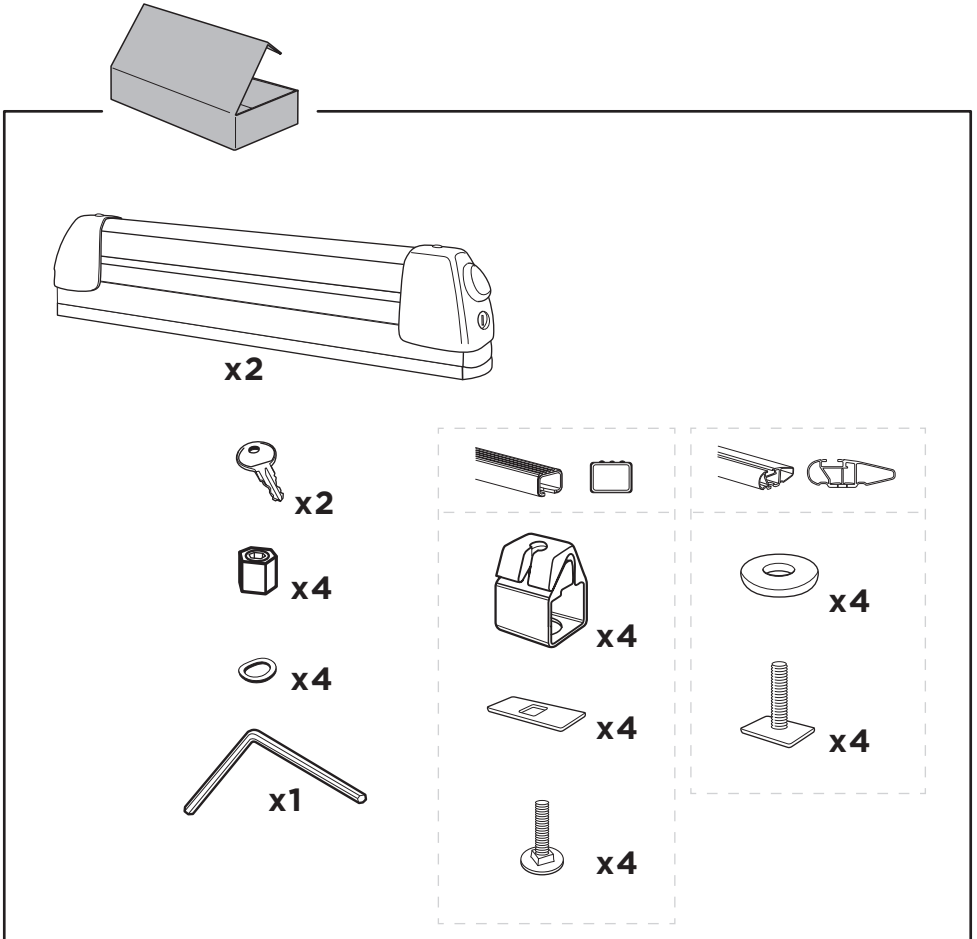
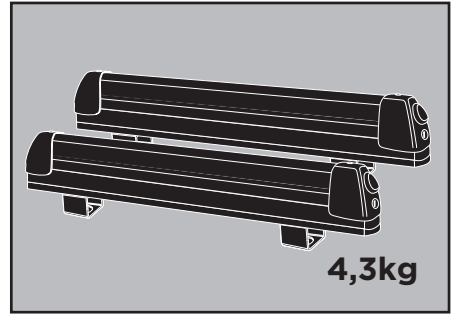
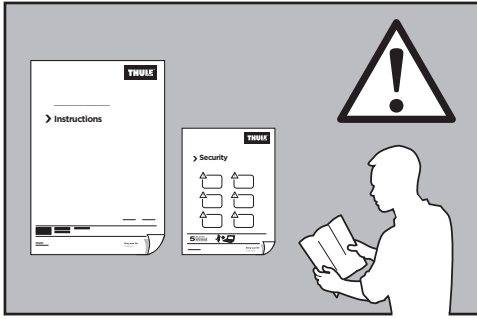


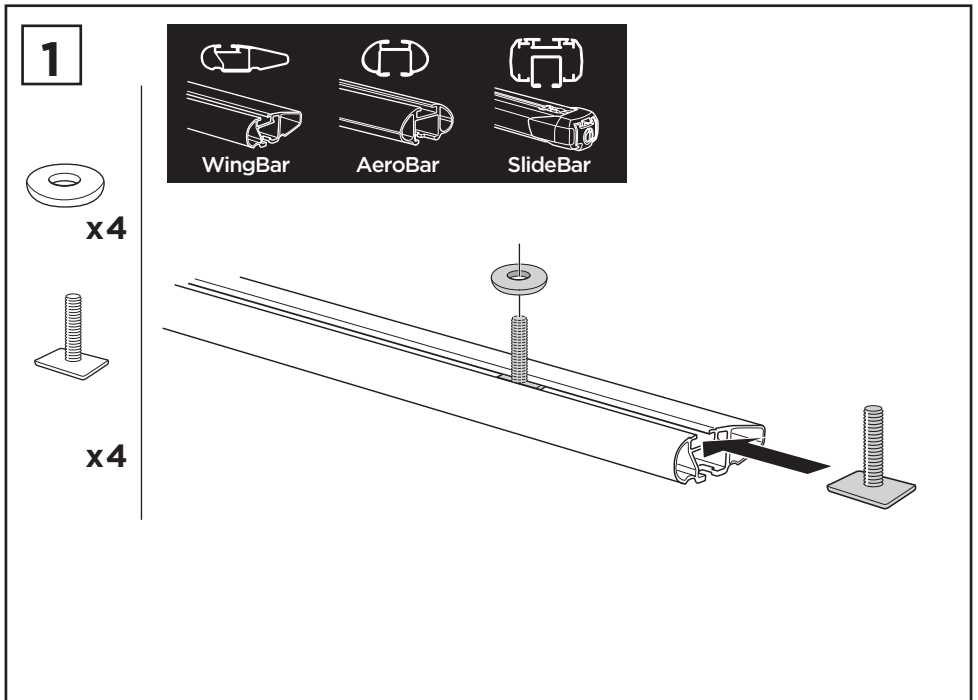
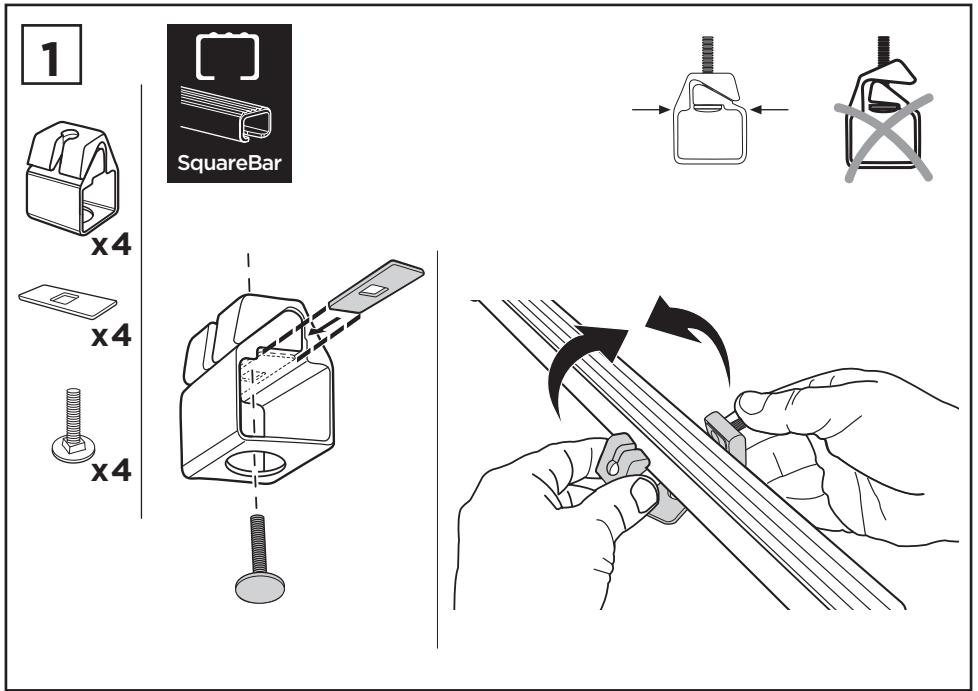
SlideBar

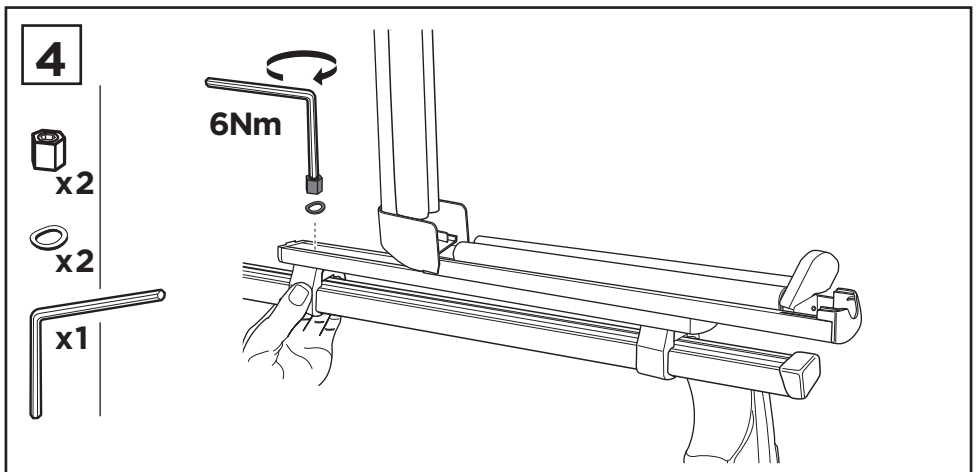
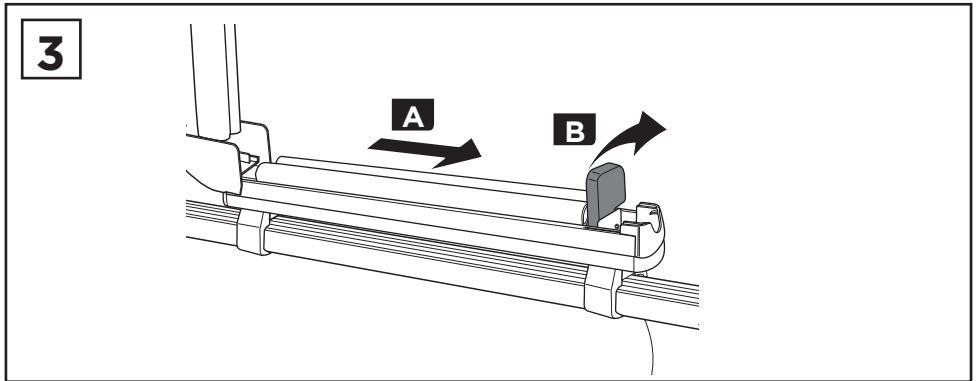
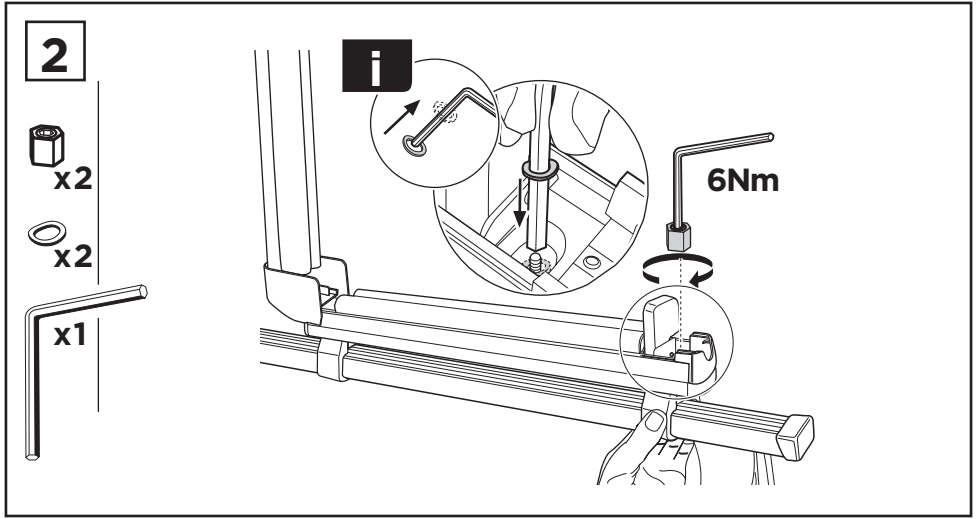


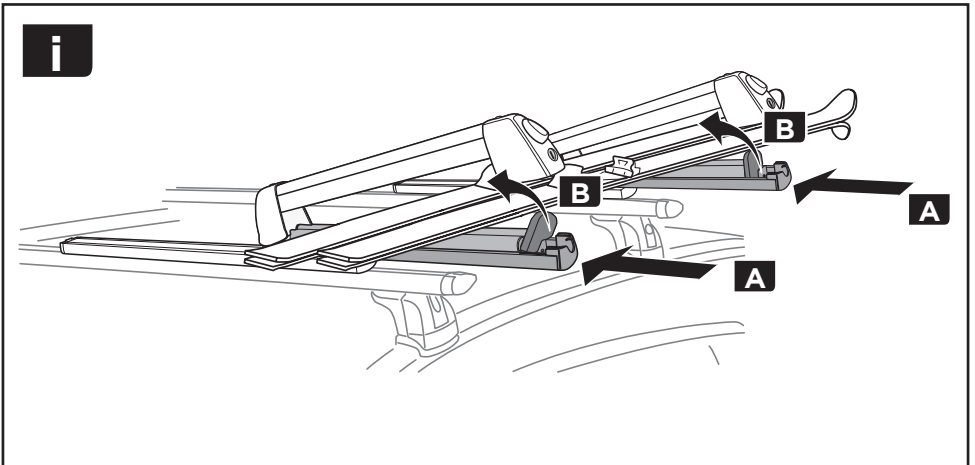
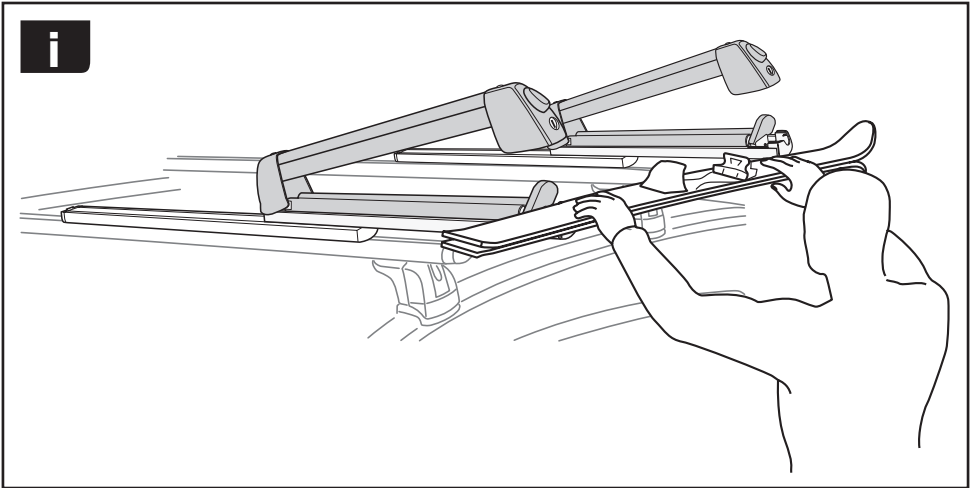
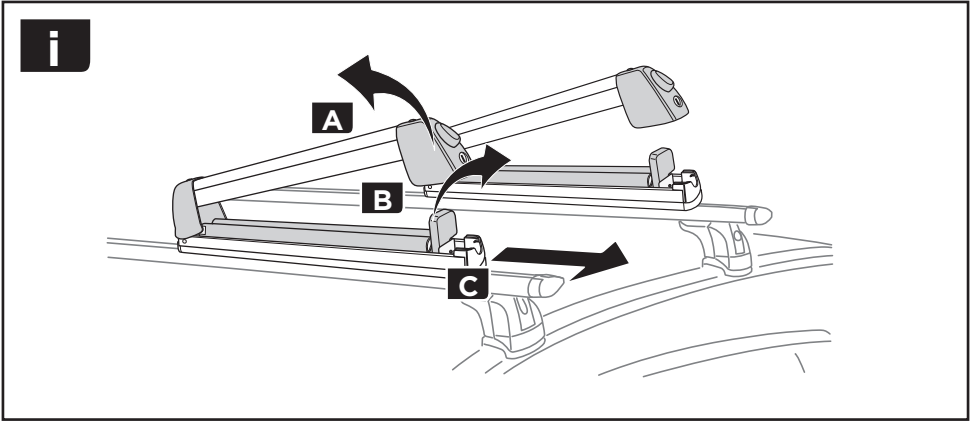
SquareBar

**739000**  
4DFB/8.20131001  
501-6470-03

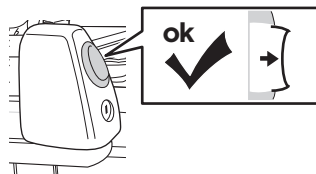
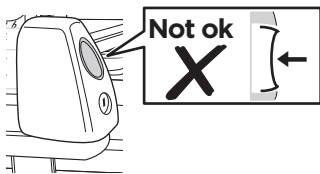
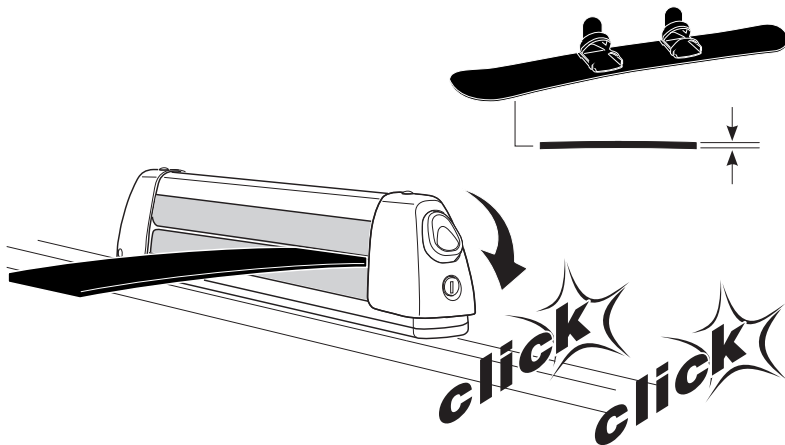
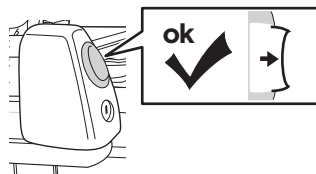
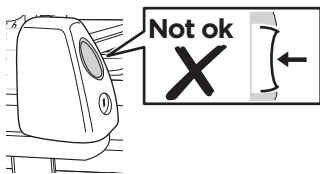
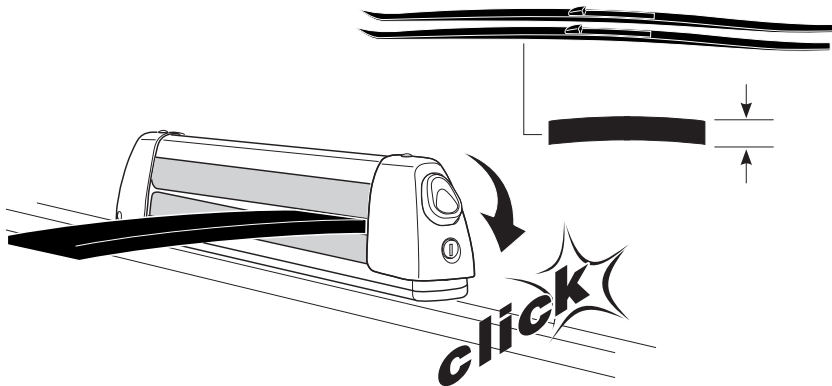




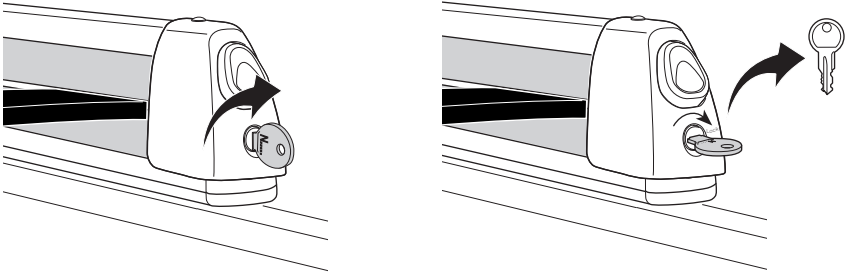




**A**

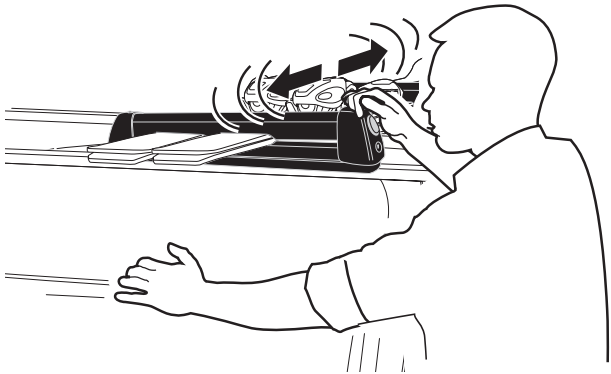


**B**

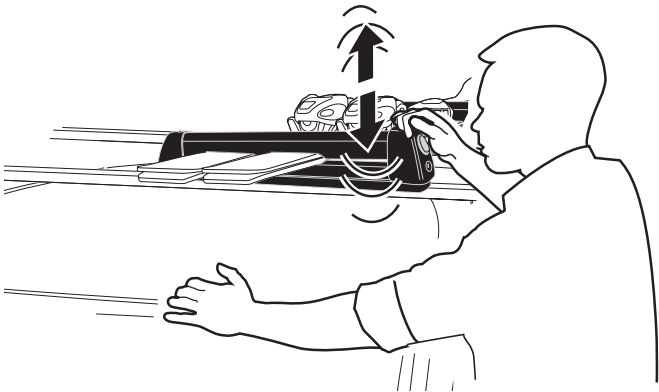


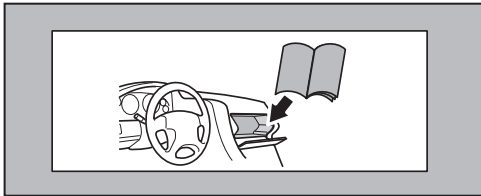
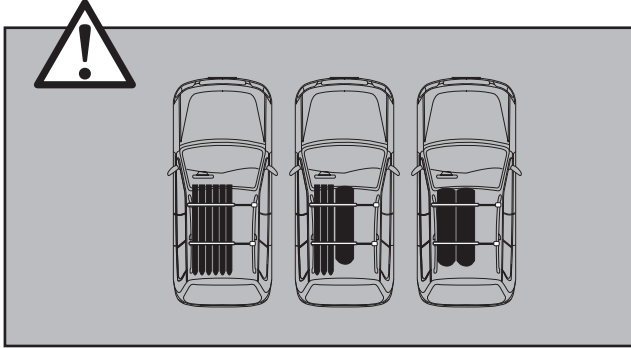
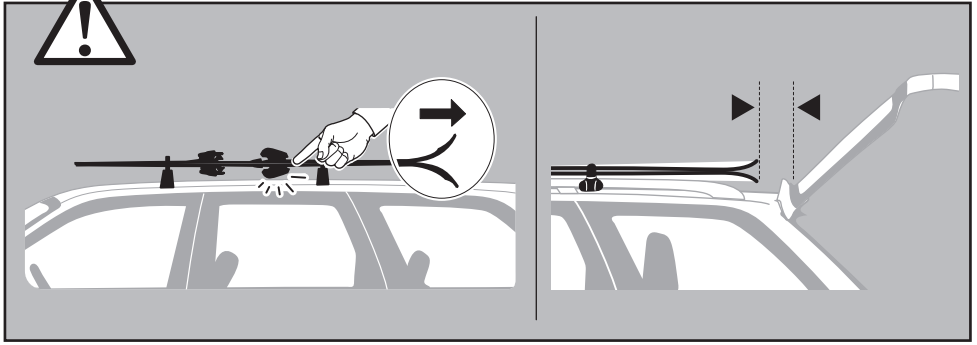
**C**

**1**


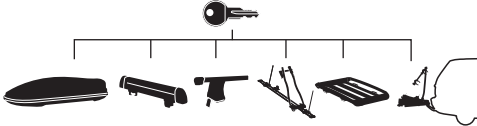






**2**





## Thule One-Key System

<b>544</b>		(x4)
<b>596</b>		(x6)
<b>588</b>		(x8)
<b>452</b>		(x12)